



PHILIPS

Canopy Lighting

GreenPerform Canopy
Mini500 G4



Philips GreenPerform Canopy Mini500 Gen4: A high-performance, versatile, energy-saving LED

The Philips GreenPerform Canopy Mini500 Gen4 lives up to the GreenPerform family's enviable reputation for reliable performance. Not only does this next-generation, energy-saving LED deliver leading system efficacy and extended long-term quality, it also offers a versatile selection of optics, connectivity, controls and installation options. So you can create the ideal lighting conditions for any space, at any time. The GreenPerform Canopy portfolio also includes a series that is ideal for canopy lighting in food applications. For professionals who demand high-performance, connected lighting for their lighting installations, this robust, optimized, and versatile family of LED canopy luminaires is the perfect choice for both indoor and outdoor canopy applications.

Features and benefits

- Excellent energy saving, up to 160lm/W system
- Long-term quality and reliability, 60,000 hours lifetime @Ta 35°C
- Choice of optics, Outdoor and edge area (Asymmetry WB), general area (WB), emphasizing and limited area (NB)
- Flexible installation options
- Range of control and connectivity platforms

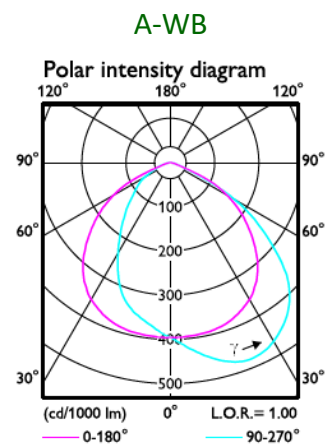
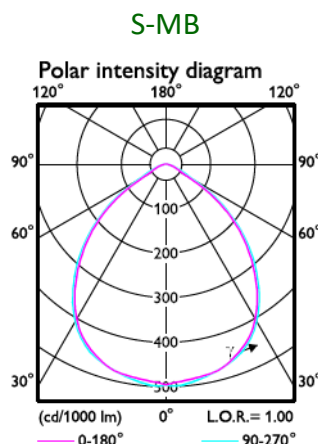
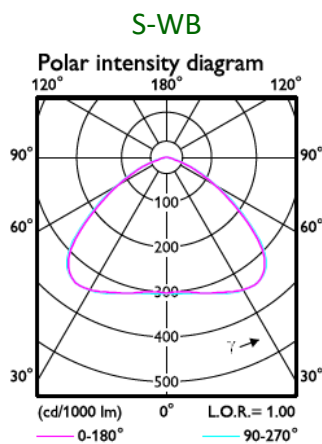
Application

- Petrol and Convenience
- Parking Garages
- Food processing

Product Data - PSU

Types (BxP500 G4 PSU)	LED85	LED125	LED140	LED180
Lumen Output (typ.)	8500lm	12500lm	14000lm	18000lm
System Power (typ.)	53W	79W	91W	122W
Tolerance	-10%/10%			
System Efficacy (typ.)	up to 160lm/W			
CCT (typ.)	4000K / 6500K			
CRI	80			
Color consistency	5 SDCM			
IP/IK rating	IP65 / IK07			
Classification	Class I			
Operation Temperature	-40°C to +50°C (Ta35°C)			-40°C to +45°C (Ta35°C)
Lifetime	60Khrs L70B50 @35°C			
Front Cover	Tempered Glass			
Beam angle	S-WB: 115° (± 5°) S-MB: 90° (± 5°) A-WB: 110° * 80° (± 5°)			
Input Voltage	220-240V, 50/60 Hz			
Power factor	0.9			0.95
Surge projection	4KV/6KV; (BBP/BCP) 10KV/10KV; (BGP)			
THD	≤ 15%		≤ 10%	
Flicker (Max. driver ripple)	Flicker free			
	MD ≤ 4.5%			MD ≤ 4%
	Pst ≤ 0.5			Pst ≤ 0.5
	SVM ≤ 1			SVM ≤ 1
Mounting / Installation	BBP (Recessed); BCP (Surface); BGP (Pole) (Frame for BBP, Surface kits for BCP, Pole fix for BGP are separately default in each type package) Optional: Frame clamp for steel-clamp installation (need to order)			
Packaging	1in1 Industrial package, EPS			
Cable	0.3m flying cable			
Warranty	3 years			
Housing Color	RAL9003			
Certification	CCC/CB/EMC/CE/ SAA(SAA only for BBP & BCP)			

Photometry

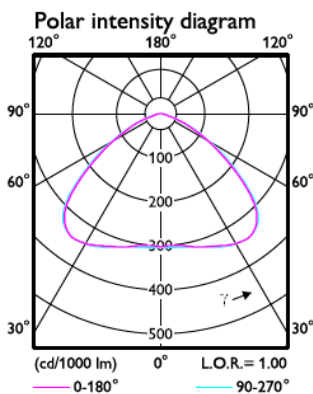


Product Data - PSD

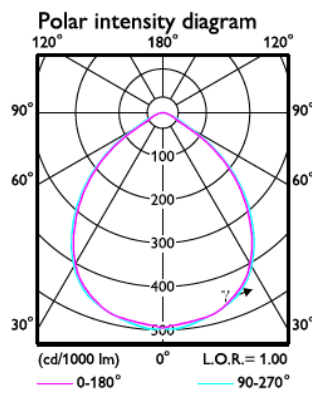
Types (BxP500 G4 PSD)	LED85	LED125	LED140	LED180
Lumen Output (typ.)	8500lm	12500lm	14000lm	18000lm
System Power (typ.)	58W	85W	96W	128W
Tolerance	-10%/10%			
System Efficacy (typ.)	up to 147lm/W			
CCT (typ.)	4000K / 6500K			
CRI	80			
Color consistency	5 SDCM			
IP/IK rating	IP65 / IK07			
Classification	Class I			
Operation Temperature	-40°C to +50°C (Ta35°C)			
Lifetime	60Khrs L70B50 @35°C			
Front Cover	Tempered Glass			
Beam angle	S-WB: 115° (± 5°) S-MB: 90° (± 5°) A-WB: 110° * 80° (± 5°)			
Input Voltage	220-240V, 50/60 Hz			
Power factor	0.9			0.95
Surge projection	4KV/4KV			
THD	<= 15%		<= 10%	
Flicker (Max. driver ripple)	Flicker free MD <= 4% Pst <= 0.5 SVM <= 1			
Mounting / Installation	BBP (Recessed); BCP (Surface); (Frame for BBP, Surface kits for BCP are separately default in each type package) Optional: Frame clamp for steel-clamp installation (need to order)			
Packaging	1in1 Industrial package, EPS			
Cable	0.3m flying cable (both power and DALI)			
Warranty	3 years			
Housing Color	RAL9003			
Certification	CCC/CB/EMC/CE/SAA			

Photometry

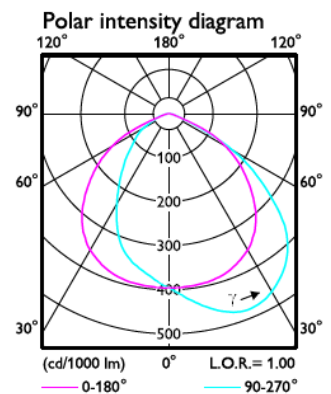
S-WB



S-MB



A-WB



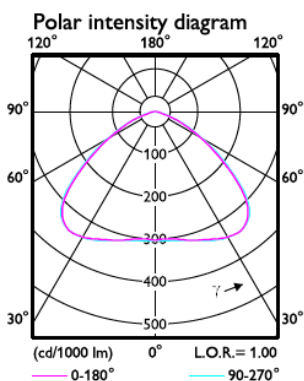
Product Data – GU5.3

Types (BxP500 G4 GU5.3)	LED85	LED125	LED140	LED180
Lumen Output (typ.)	8500lm	12500lm	14000lm	18000lm
System Power (typ.)	53W	79W	91W	122W
Tolerance	-10%/10%			
System Efficacy (typ.)	up to 160lm/W			
CCT (typ.)	4000K / 6500K			
CRI	80			
Color consistency	5 SDCM			
IP/IK rating	IP65 / IK07			
Classification	Class I			
Operation Temperature	-40°C to +50°C (Ta35°C)			
Lifetime	60Khrs L70B50 @35°C			
Front Cover	Tempered Glass			
Beam angle	S-WB: 115° (± 5°) S-MB: 90° (± 5°) A-WB: 110° * 80° (± 5°)			
Input Voltage	220-240V, 50/60 Hz			
Power factor	0.9			0.95
Surge projection	4KV/4KV			
THD	≤ 15%		≤ 10%	
Flicker (Max. driver ripple)	Flicker free			
	MD ≤ 4.5%			MD ≤ 4%
	Pst ≤ 0.5			Pst ≤ 0.5
	SVM ≤ 1			SVM ≤ 1
Mounting / Installation	BBP (Recessed); BCP (Surface) (Frame for BBP, Surface kits for BCP are separately default in each type package) Optional: Frame clamp for steel-clamp installation (need to order) MR16 lamp and external 12Vac driver need to order separately			
Packaging	1in1 Industrial package, EPS			
Cable	0.3m flying cable			
Warranty	3 years			
Housing Color	RAL9003			
Certification	CCC/CB/EMC/CE			

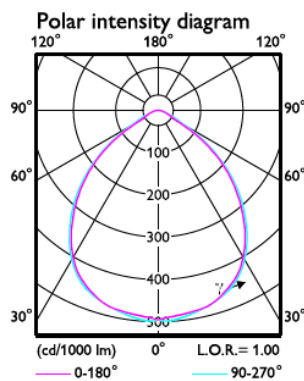
* Above luminaire performance exclude MR16 part.

Photometry

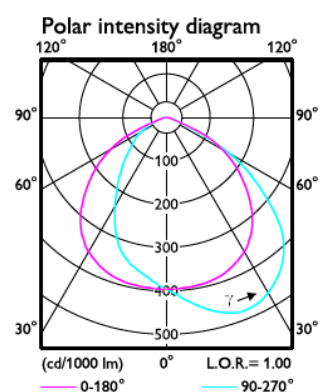
S-WB



S-MB



A-WB

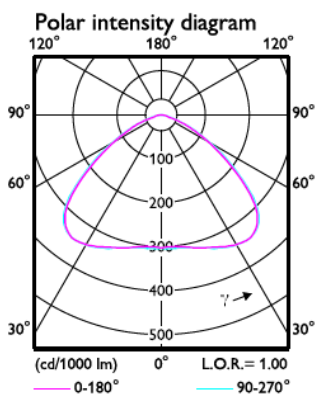


Product Data – PSU PC

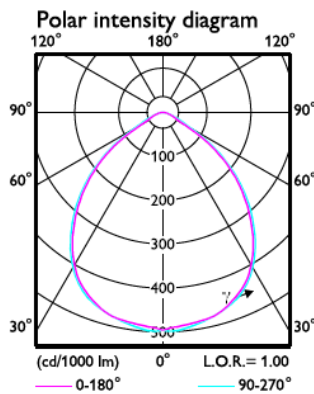
Types (BxP500 G4 PSU PC)	LED85	LED125	LED140	LED180
Lumen Output (typ.)	8326lm	12385lm	13797lm	17704lm
System Power (typ.)	53W	79W	91W	122W
Tolerance	-10%/10%			
System Efficacy (typ.)	up to 157lm/W			
CCT (typ.)	4000K / 6500K			
CRI	80			
Color consistency	5 SDCM			
IP/IK rating	IP65 / IK07			
Classification	Class I			
Operation Temperature	-20°C to +40°C (Ta35°C)			
Lifetime	60Khrs L70B50 @35°C			
Front Cover	PC			
Beam angle	S-WB: 115° (± 5°) S-MB: 90° (± 5°) A-WB: 110° * 80° (± 5°)			
Input Voltage	220-240V, 50/60 Hz			
Power factor	0.9			0.95
Surge projection	4KV/6KV			
THD	≤ 15%		≤ 10%	
Flicker (Max. driver ripple)	Flicker free			
	MD ≤ 4.5% Pst ≤ 0.5 SVM ≤ 1			MD ≤ 4% Pst ≤ 0.5 SVM ≤ 1
Mounting / Installation	BBP (Recessed); BCP (Surface)			
	(Frame for BBP, surface kits for BCP are separately default in each type package Optional: Frame clamp for steel-clamp installation (need to order)			
Packaging	1in1 Industrial package, EPS			
Cable	0.3m flying cable			
Warranty	3 years			
Housing Color	RAL9003			
Certification	CCC/CB/EMC/CE			

Photometry

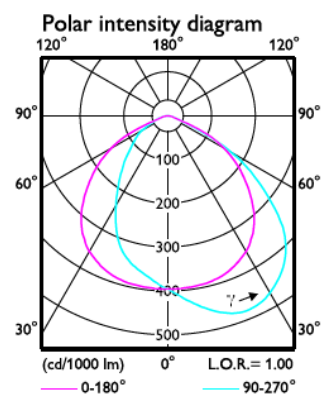
S-WB



S-MB

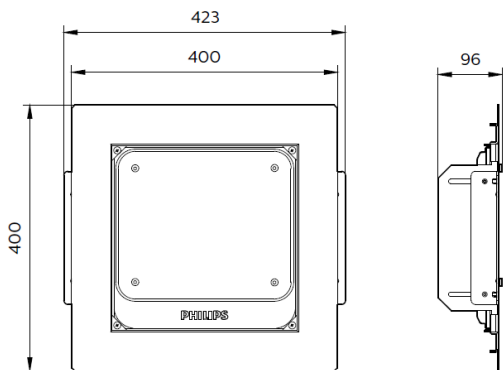


A-WB

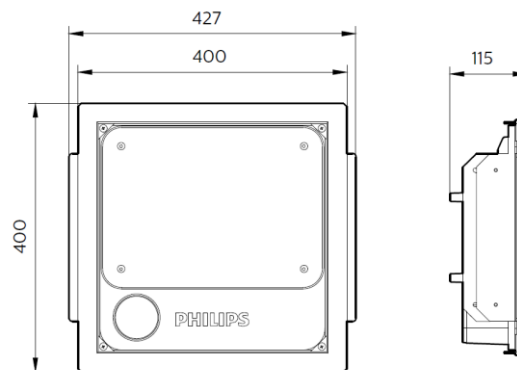


Dimension Drawing

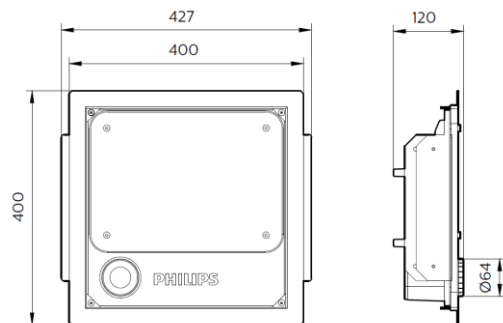
BBP500 G4 PSU



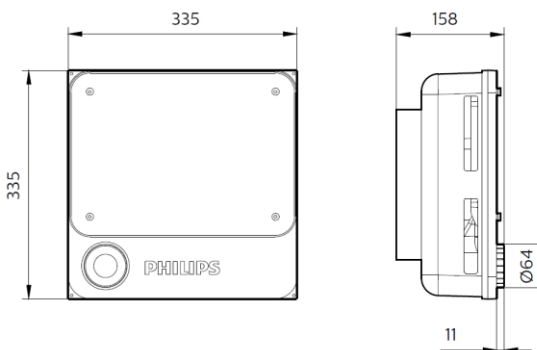
BBP500 G4 PSD



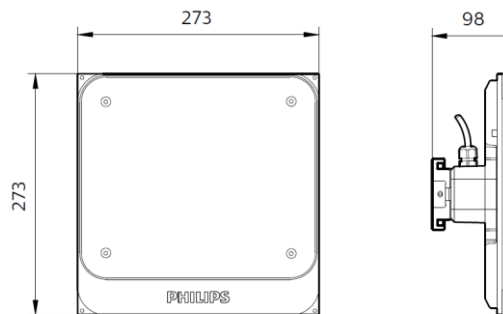
BBP500 G4 GU5.3



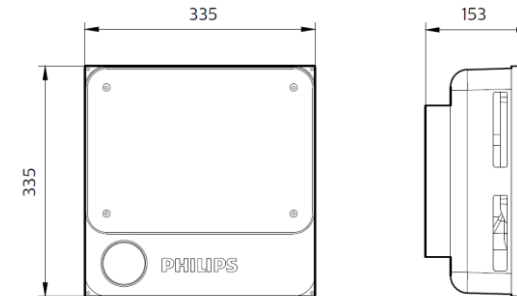
BCP500 G4 GU5.3



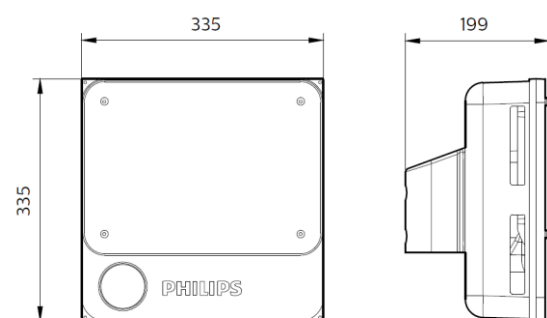
BCP500 G4 PSU



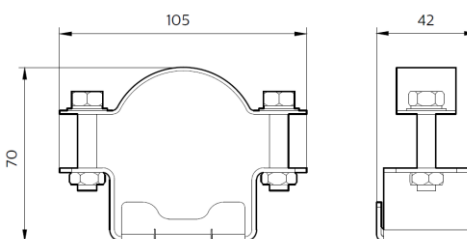
BCP500 G4 PSD



BGP500 G4 PSU



ZCB504 frame clamp



Order Information - PSU

12NC	Description	Installation	Specification
911401593132	BBP500 G4 LED85/NW PSU S-WB	Recessed	53W, 8500lm, 4000K, fixed, symmetry-wide beam
911401593232	BBP500 G4 LED85/NW PSU S-MB	Recessed	53W, 8500lm, 4000K, fixed, symmetry-middle beam
911401593332	BBP500 G4 LED85/NW PSU A-WB	Recessed	53W, 8500lm, 4000K, fixed, asymmetry-wide beam
911401593432	BBP500 G4 LED85/CW PSU S-WB	Recessed	53W, 8500lm, 6500K, fixed, symmetry-wide beam
911401593532	BBP500 G4 LED85/CW PSU S-MB	Recessed	53W, 8500lm, 6500K, fixed, symmetry-middle beam
911401593632	BBP500 G4 LED85/CW PSU A-WB	Recessed	53W, 8500lm, 6500K, fixed, asymmetry-wide beam
911401593732	BBP500 G4 LED125/NW PSU S-WB	Recessed	79W, 12500lm, 4000K, fixed, symmetry-wide beam
911401593832	BBP500 G4 LED125/NW PSU S-MB	Recessed	79W, 12500lm, 4000K, fixed, symmetry-middle beam
911401593932	BBP500 G4 LED125/NW PSU A-WB	Recessed	79W, 12500lm, 4000K, fixed, asymmetry-wide beam
911401594032	BBP500 G4 LED125/CW PSU S-WB	Recessed	79W, 12500lm, 6500K, fixed, symmetry-wide beam
911401594132	BBP500 G4 LED125/CW PSU S-MB	Recessed	79W, 12500lm, 6500K, fixed, symmetry-middle beam
911401594232	BBP500 G4 LED125/CW PSU A-WB	Recessed	79W, 12500lm, 6500K, fixed, asymmetry-wide beam
911401594332	BBP500 G4 LED140/NW PSU S-WB	Recessed	91W, 14000lm, 4000K, fixed, symmetry-wide beam
911401594432	BBP500 G4 LED140/NW PSU S-MB	Recessed	91W, 14000lm, 4000K, fixed, symmetry-middle beam
911401594532	BBP500 G4 LED140/NW PSU A-WB	Recessed	91W, 14000lm, 4000K, fixed, asymmetry-wide beam
911401594632	BBP500 G4 LED140/CW PSU S-WB	Recessed	91W, 14000lm, 6500K, fixed, symmetry-wide beam
911401594732	BBP500 G4 LED140/CW PSU S-MB	Recessed	91W, 14000lm, 6500K, fixed, symmetry-middle beam
911401594832	BBP500 G4 LED140/CW PSU A-WB	Recessed	91W, 14000lm, 6500K, fixed, asymmetry-wide beam
911401594932	BBP500 G4 LED180/NW PSU S-WB	Recessed	122W, 18000lm, 4000K, fixed, symmetry-wide beam
911401595032	BBP500 G4 LED180/NW PSU S-MB	Recessed	122W, 18000lm, 4000K, fixed, symmetry-middle beam
911401595132	BBP500 G4 LED180/NW PSU A-WB	Recessed	122W, 18000lm, 4000K, fixed, asymmetry-wide beam
911401595232	BBP500 G4 LED180/CW PSU S-WB	Recessed	122W, 18000lm, 6500K, fixed, symmetry-wide beam
911401595332	BBP500 G4 LED180/CW PSU S-MB	Recessed	122W, 18000lm, 6500K, fixed, symmetry-middle beam
911401595432	BBP500 G4 LED180/CW PSU A-WB	Recessed	122W, 18000lm, 6500K, fixed, asymmetry-wide beam
911401502742	BGP500 G4 LED85/NW PSU S-WB	Surface	53W, 8500lm, 4000K, fixed, symmetry-wide beam
911401502842	BGP500 G4 LED85/NW PSU S-MB	Surface	53W, 8500lm, 4000K, fixed, symmetry-middle beam
911401502942	BGP500 G4 LED85/NW PSU A-WB	Surface	53W, 8500lm, 4000K, fixed, asymmetry-wide beam
911401503042	BGP500 G4 LED85/CW PSU S-WB	Surface	53W, 8500lm, 6500K, fixed, symmetry-wide beam
911401503142	BGP500 G4 LED85/CW PSU S-MB	Surface	53W, 8500lm, 6500K, fixed, symmetry-middle beam
911401503242	BGP500 G4 LED85/CW PSU A-WB	Surface	53W, 8500lm, 6500K, fixed, asymmetry-wide beam
911401503342	BGP500 G4 LED125/NW PSU S-WB	Surface	79W, 12500lm, 4000K, fixed, symmetry-wide beam
911401503442	BGP500 G4 LED125/NW PSU S-MB	Surface	79W, 12500lm, 4000K, fixed, symmetry-middle beam
911401503542	BGP500 G4 LED125/NW PSU A-WB	Surface	79W, 12500lm, 4000K, fixed, asymmetry-wide beam
911401503642	BGP500 G4 LED125/CW PSU S-WB	Surface	79W, 12500lm, 6500K, fixed, symmetry-wide beam
911401503742	BGP500 G4 LED125/CW PSU S-MB	Surface	79W, 12500lm, 6500K, fixed, symmetry-middle beam
911401503842	BGP500 G4 LED125/CW PSU A-WB	Surface	79W, 12500lm, 6500K, fixed, asymmetry-wide beam
911401503942	BGP500 G4 LED140/NW PSU S-WB	Surface	91W, 14000lm, 4000K, fixed, symmetry-wide beam
911401504042	BGP500 G4 LED140/NW PSU S-MB	Surface	91W, 14000lm, 4000K, fixed, symmetry-middle beam
911401504142	BGP500 G4 LED140/NW PSU A-WB	Surface	91W, 14000lm, 4000K, fixed, asymmetry-wide beam
911401504242	BGP500 G4 LED140/CW PSU S-WB	Surface	91W, 14000lm, 6500K, fixed, symmetry-wide beam
911401504342	BGP500 G4 LED140/CW PSU S-MB	Surface	91W, 14000lm, 6500K, fixed, symmetry-middle beam
911401504442	BGP500 G4 LED140/CW PSU A-WB	Surface	91W, 14000lm, 6500K, fixed, asymmetry-wide beam
911401504542	BGP500 G4 LED180/NW PSU S-WB	Surface	122W, 18000lm, 4000K, fixed, symmetry-wide beam
911401504642	BGP500 G4 LED180/NW PSU S-MB	Surface	122W, 18000lm, 4000K, fixed, symmetry-middle beam
911401504742	BGP500 G4 LED180/NW PSU A-WB	Surface	122W, 18000lm, 4000K, fixed, asymmetry-wide beam
911401504842	BGP500 G4 LED180/CW PSU S-WB	Surface	122W, 18000lm, 6500K, fixed, symmetry-wide beam
911401504942	BGP500 G4 LED180/CW PSU S-MB	Surface	122W, 18000lm, 6500K, fixed, symmetry-middle beam
911401505042	BGP500 G4 LED180/CW PSU A-WB	Surface	122W, 18000lm, 6500K, fixed, asymmetry-wide beam
911401512342	BGP500 G4 LED85/NW PSU A-WB	Pole	53W, 8500lm, 4000K, fixed, asymmetry-wide beam
911401512442	BGP500 G4 LED85/CW PSU A-WB	Pole	53W, 8500lm, 6500K, fixed, asymmetry-wide beam
911401512542	BGP500 G4 LED125/NW PSU A-WB	Pole	79W, 12500lm, 4000K, fixed, asymmetry-wide beam
911401512642	BGP500 G4 LED125/CW PSU A-WB	Pole	79W, 12500lm, 6500K, fixed, asymmetry-wide beam
911401512742	BGP500 G4 LED140/NW PSU A-WB	Pole	91W, 14000lm, 4000K, fixed, asymmetry-wide beam
911401512842	BGP500 G4 LED140/CW PSU A-WB	Pole	91W, 14000lm, 6500K, fixed, asymmetry-wide beam
911401512942	BGP500 G4 LED180/NW PSU A-WB	Pole	122W, 18000lm, 4000K, fixed, asymmetry-wide beam
911401513042	BGP500 G4 LED180/CW PSU A-WB	Pole	122W, 18000lm, 6500K, fixed, asymmetry-wide beam

© 2018 Signify Holding. All rights reserved. The information provided herein is subject to change, without notice. Signify does not give any representation or warranty as to the accuracy or completeness of the information included herein and shall not be liable for any action in reliance thereon. The information presented in this document is not intended as any commercial offer and does not form part of any quotation or contract, unless otherwise agreed by Signify

Philips and the Philips Shield Emblem are registered trademarks of Koninklijke Philips N.V. All other trademarks are owned by Signify Holding or their respective owners.



Order Information - PSD

12NC	Description	Installation	Specification
911401595532	BBP500 G4 LED85/NW PSD S-WB	Recessed	58W, 8500lm, 4000K, DALI, symmetry-wide beam
911401595632	BBP500 G4 LED85/NW PSD S-MB	Recessed	58W, 8500lm, 4000K, DALI, symmetry-middle beam
911401595732	BBP500 G4 LED85/NW PSD A-WB	Recessed	58W, 8500lm, 4000K, DALI, asymmetry-wide beam
911401595832	BBP500 G4 LED85/CW PSD S-WB	Recessed	58W, 8500lm, 6500K, DALI, symmetry-wide beam
911401595932	BBP500 G4 LED85/CW PSD S-MB	Recessed	58W, 8500lm, 6500K, DALI, symmetry-middle beam
911401596032	BBP500 G4 LED85/CW PSD A-WB	Recessed	58W, 8500lm, 6500K, DALI, asymmetry-wide beam
911401596132	BBP500 G4 LED125/NW PSD S-WB	Recessed	85W, 12500lm, 4000K, DALI, symmetry-wide beam
911401596232	BBP500 G4 LED125/NW PSD S-MB	Recessed	85W, 12500lm, 4000K, DALI, symmetry-middle beam
911401596332	BBP500 G4 LED125/NW PSD A-WB	Recessed	85W, 12500lm, 4000K, DALI, asymmetry-wide beam
911401596432	BBP500 G4 LED125/CW PSD S-WB	Recessed	85W, 12500lm, 6500K, DALI, symmetry-wide beam
911401596532	BBP500 G4 LED125/CW PSD S-MB	Recessed	85W, 12500lm, 6500K, DALI, symmetry-middle beam
911401596632	BBP500 G4 LED125/CW PSD A-WB	Recessed	85W, 12500lm, 6500K, DALI, asymmetry-wide beam
911401596732	BBP500 G4 LED140/NW PSD S-WB	Recessed	96W, 14000lm, 4000K, DALI, symmetry-wide beam
911401596832	BBP500 G4 LED140/NW PSD S-MB	Recessed	96W, 14000lm, 4000K, DALI, symmetry-middle beam
911401596932	BBP500 G4 LED140/NW PSD A-WB	Recessed	96W, 14000lm, 4000K, DALI, asymmetry-wide beam
911401597032	BBP500 G4 LED140/CW PSD S-WB	Recessed	96W, 14000lm, 6500K, DALI, symmetry-wide beam
911401597132	BBP500 G4 LED140/CW PSD S-MB	Recessed	96W, 14000lm, 6500K, DALI, symmetry-middle beam
911401597232	BBP500 G4 LED140/CW PSD A-WB	Recessed	96W, 14000lm, 6500K, DALI, asymmetry-wide beam
911401597332	BBP500 G4 LED180/NW PSD S-WB	Recessed	128W, 18000lm, 4000K, DALI, symmetry-wide beam
911401597432	BBP500 G4 LED180/NW PSD S-MB	Recessed	128W, 18000lm, 4000K, DALI, symmetry-middle beam
911401597532	BBP500 G4 LED180/NW PSD A-WB	Recessed	128W, 18000lm, 4000K, DALI, asymmetry-wide beam
911401597632	BBP500 G4 LED180/CW PSD S-WB	Recessed	128W, 18000lm, 6500K, DALI, symmetry-wide beam
911401597732	BBP500 G4 LED180/CW PSD S-MB	Recessed	128W, 18000lm, 6500K, DALI, symmetry-middle beam
911401597832	BBP500 G4 LED180/CW PSD A-WB	Recessed	128W, 18000lm, 6500K, DALI, asymmetry-wide beam
911401505142	BCP500 G4 LED85/NW PSD S-WB	Surface	58W, 8500lm, 4000K, DALI, symmetry-wide beam
911401505242	BCP500 G4 LED85/NW PSD S-MB	Surface	58W, 8500lm, 4000K, DALI, symmetry-middle beam
911401505342	BCP500 G4 LED85/NW PSD A-WB	Surface	58W, 8500lm, 4000K, DALI, asymmetry-wide beam
911401505442	BCP500 G4 LED85/CW PSD S-WB	Surface	58W, 8500lm, 6500K, DALI, symmetry-wide beam
911401505542	BCP500 G4 LED85/CW PSD S-MB	Surface	58W, 8500lm, 6500K, DALI, symmetry-middle beam
911401505642	BCP500 G4 LED85/CW PSD A-WB	Surface	58W, 8500lm, 6500K, DALI, asymmetry-wide beam
911401505742	BCP500 G4 LED125/NW PSD S-WB	Surface	85W, 12500lm, 4000K, DALI, symmetry-wide beam
911401505842	BCP500 G4 LED125/NW PSD S-MB	Surface	85W, 12500lm, 4000K, DALI, symmetry-middle beam
911401505942	BCP500 G4 LED125/NW PSD A-WB	Surface	85W, 12500lm, 4000K, DALI, asymmetry-wide beam
911401506042	BCP500 G4 LED125/CW PSD S-WB	Surface	85W, 12500lm, 6500K, DALI, symmetry-wide beam
911401506142	BCP500 G4 LED125/CW PSD S-MB	Surface	85W, 12500lm, 6500K, DALI, symmetry-middle beam
911401506242	BCP500 G4 LED125/CW PSD A-WB	Surface	85W, 12500lm, 6500K, DALI, asymmetry-wide beam
911401506342	BCP500 G4 LED140/NW PSD S-WB	Surface	96W, 14000lm, 4000K, DALI, symmetry-wide beam
911401506442	BCP500 G4 LED140/NW PSD S-MB	Surface	96W, 14000lm, 4000K, DALI, symmetry-middle beam
911401506542	BCP500 G4 LED140/NW PSD A-WB	Surface	96W, 14000lm, 4000K, DALI, asymmetry-wide beam
911401506642	BCP500 G4 LED140/CW PSD S-WB	Surface	96W, 14000lm, 6500K, DALI, symmetry-wide beam
911401506742	BCP500 G4 LED140/CW PSD S-MB	Surface	96W, 14000lm, 6500K, DALI, symmetry-middle beam
911401506842	BCP500 G4 LED140/CW PSD A-WB	Surface	96W, 14000lm, 6500K, DALI, asymmetry-wide beam
911401506942	BCP500 G4 LED180/NW PSD S-WB	Surface	128W, 18000lm, 4000K, DALI, symmetry-wide beam
911401507042	BCP500 G4 LED180/NW PSD S-MB	Surface	128W, 18000lm, 4000K, DALI, symmetry-middle beam
911401507142	BCP500 G4 LED180/NW PSD A-WB	Surface	128W, 18000lm, 4000K, DALI, asymmetry-wide beam
911401507242	BCP500 G4 LED180/CW PSD S-WB	Surface	128W, 18000lm, 6500K, DALI, symmetry-wide beam
911401507342	BCP500 G4 LED180/CW PSD S-MB	Surface	128W, 18000lm, 6500K, DALI, symmetry-middle beam
911401507442	BCP500 G4 LED180/CW PSD A-WB	Surface	128W, 18000lm, 6500K, DALI, asymmetry-wide beam

© 2018 Signify Holding. All rights reserved. The information provided herein is subject to change, without notice. Signify does not give any representation or warranty as to the accuracy or completeness of the information included herein and shall not be liable for any action in reliance thereon. The information presented in this document is not intended as any commercial offer and does not form part of any quotation or contract, unless otherwise agreed by Signify

Philips and the Philips Shield Emblem are registered trademarks of Koninklijke Philips N.V. All other trademarks are owned by Signify Holding or their respective owners.

<http://www.signify.com>



Order Information – GU5.3

12NC	Description	Installation	Specification
911401597932	BBP500 G4 LED85/NW GU5.3 S-WB	Recessed	53W, 8500lm, 4000K, fixed + GU5.3 MR16, symmetry-wide beam
911401598032	BBP500 G4 LED85/NW GU5.3 S-MB	Recessed	53W, 8500lm, 4000K, fixed + GU5.3 MR16, symmetry-middle beam
911401598132	BBP500 G4 LED85/NW GU5.3 A-WB	Recessed	53W, 8500lm, 4000K, fixed + GU5.3 MR16, asymmetry-wide beam
911401598232	BBP500 G4 LED85/CW GU5.3 S-WB	Recessed	53W, 8500lm, 6500K, fixed + GU5.3 MR16, symmetry-wide beam
911401598332	BBP500 G4 LED85/CW GU5.3 S-MB	Recessed	53W, 8500lm, 6500K, fixed + GU5.3 MR16, symmetry-middle beam
911401598432	BBP500 G4 LED85/CW GU5.3 A-WB	Recessed	53W, 8500lm, 6500K, fixed + GU5.3 MR16, asymmetry-wide beam
911401598532	BBP500 G4 LED125/NW GU5.3 S-WB	Recessed	79W, 12500lm, 4000K, fixed + GU5.3 MR16, symmetry-wide beam
911401598632	BBP500 G4 LED125/NW GU5.3 S-MB	Recessed	79W, 12500lm, 4000K, fixed + GU5.3 MR16, symmetry-middle beam
911401598732	BBP500 G4 LED125/NW GU5.3 A-WB	Recessed	79W, 12500lm, 4000K, fixed + GU5.3 MR16, asymmetry-wide beam
911401598832	BBP500 G4 LED125/CW GU5.3 S-WB	Recessed	79W, 12500lm, 6500K, fixed + GU5.3 MR16, symmetry-wide beam
911401598932	BBP500 G4 LED125/CW GU5.3 S-MB	Recessed	79W, 12500lm, 6500K, fixed + GU5.3 MR16, symmetry-middle beam
911401599032	BBP500 G4 LED125/CW GU5.3 A-WB	Recessed	79W, 12500lm, 6500K, fixed + GU5.3 MR16, asymmetry-wide beam
911401599132	BBP500 G4 LED140/NW GU5.3 S-WB	Recessed	91W, 14000lm, 4000K, fixed + GU5.3 MR16, symmetry-wide beam
911401599232	BBP500 G4 LED140/NW GU5.3 S-MB	Recessed	91W, 14000lm, 4000K, fixed + GU5.3 MR16, symmetry-middle beam
911401599332	BBP500 G4 LED140/NW GU5.3 A-WB	Recessed	91W, 14000lm, 4000K, fixed + GU5.3 MR16, asymmetry-wide beam
911401599432	BBP500 G4 LED140/CW GU5.3 S-WB	Recessed	91W, 14000lm, 6500K, fixed + GU5.3 MR16, symmetry-wide beam
911401599532	BBP500 G4 LED140/CW GU5.3 S-MB	Recessed	91W, 14000lm, 6500K, fixed + GU5.3 MR16, symmetry-middle beam
911401599632	BBP500 G4 LED140/CW GU5.3 A-WB	Recessed	91W, 14000lm, 6500K, fixed + GU5.3 MR16, asymmetry-wide beam
911401599732	BBP500 G4 LED180/NW GU5.3 S-WB	Recessed	122W, 18000lm, 4000K, fixed + GU5.3 MR16, symmetry-wide beam
911401599832	BBP500 G4 LED180/NW GU5.3 S-MB	Recessed	122W, 18000lm, 4000K, fixed + GU5.3 MR16, symmetry-middle beam
911401599932	BBP500 G4 LED180/NW GU5.3 A-WB	Recessed	122W, 18000lm, 4000K, fixed + GU5.3 MR16, asymmetry-wide beam
911401500042	BBP500 G4 LED180/CW GU5.3 S-WB	Recessed	122W, 18000lm, 6500K, fixed + GU5.3 MR16, symmetry-wide beam
911401500142	BBP500 G4 LED180/CW GU5.3 S-MB	Recessed	122W, 18000lm, 6500K, fixed + GU5.3 MR16, symmetry-middle beam
911401500242	BBP500 G4 LED180/CW GU5.3 A-WB	Recessed	122W, 18000lm, 6500K, fixed + GU5.3 MR16, asymmetry-wide beam
911401507542	BCP500 G4 LED85/NW GU5.3 S-WB	Surface	53W, 8500lm, 4000K, fixed + GU5.3 MR16, symmetry-wide beam
911401507642	BCP500 G4 LED85/NW GU5.3 S-MB	Surface	53W, 8500lm, 4000K, fixed + GU5.3 MR16, symmetry-middle beam
911401507742	BCP500 G4 LED85/NW GU5.3 A-WB	Surface	53W, 8500lm, 4000K, fixed + GU5.3 MR16, asymmetry-wide beam
911401507842	BCP500 G4 LED85/CW GU5.3 S-WB	Surface	53W, 8500lm, 6500K, fixed + GU5.3 MR16, symmetry-wide beam
911401507942	BCP500 G4 LED85/CW GU5.3 S-MB	Surface	53W, 8500lm, 6500K, fixed + GU5.3 MR16, symmetry-middle beam
911401508042	BCP500 G4 LED85/CW GU5.3 A-WB	Surface	53W, 8500lm, 6500K, fixed + GU5.3 MR16, asymmetry-wide beam
911401508142	BCP500 G4 LED125/NW GU5.3 S-WB	Surface	79W, 12500lm, 4000K, fixed + GU5.3 MR16, symmetry-wide beam
911401508242	BCP500 G4 LED125/NW GU5.3 S-MB	Surface	79W, 12500lm, 4000K, fixed + GU5.3 MR16, symmetry-middle beam
911401508342	BCP500 G4 LED125/NW GU5.3 A-WB	Surface	79W, 12500lm, 4000K, fixed + GU5.3 MR16, asymmetry-wide beam
911401508442	BCP500 G4 LED125/CW GU5.3 S-WB	Surface	79W, 12500lm, 6500K, fixed + GU5.3 MR16, symmetry-wide beam
911401508542	BCP500 G4 LED125/CW GU5.3 S-MB	Surface	79W, 12500lm, 6500K, fixed + GU5.3 MR16, symmetry-middle beam
911401508642	BCP500 G4 LED125/CW GU5.3 A-WB	Surface	79W, 12500lm, 6500K, fixed + GU5.3 MR16, asymmetry-wide beam
911401508742	BCP500 G4 LED140/NW GU5.3 S-WB	Surface	91W, 14000lm, 4000K, fixed + GU5.3 MR16, symmetry-wide beam
911401508842	BCP500 G4 LED140/NW GU5.3 S-MB	Surface	91W, 14000lm, 4000K, fixed + GU5.3 MR16, symmetry-middle beam
911401508942	BCP500 G4 LED140/NW GU5.3 A-WB	Surface	91W, 14000lm, 4000K, fixed + GU5.3 MR16, asymmetry-wide beam
911401509042	BCP500 G4 LED140/CW GU5.3 S-WB	Surface	91W, 14000lm, 6500K, fixed + GU5.3 MR16, symmetry-wide beam
911401509142	BCP500 G4 LED140/CW GU5.3 S-MB	Surface	91W, 14000lm, 6500K, fixed + GU5.3 MR16, symmetry-middle beam
911401509242	BCP500 G4 LED140/CW GU5.3 A-WB	Surface	91W, 14000lm, 6500K, fixed + GU5.3 MR16, asymmetry-wide beam
911401509342	BCP500 G4 LED180/NW GU5.3 S-WB	Surface	122W, 18000lm, 4000K, fixed + GU5.3 MR16, symmetry-wide beam
911401509442	BCP500 G4 LED180/NW GU5.3 S-MB	Surface	122W, 18000lm, 4000K, fixed + GU5.3 MR16, symmetry-middle beam
911401509542	BCP500 G4 LED180/NW GU5.3 A-WB	Surface	122W, 18000lm, 4000K, fixed + GU5.3 MR16, asymmetry-wide beam
911401509642	BCP500 G4 LED180/CW GU5.3 S-WB	Surface	122W, 18000lm, 6500K, fixed + GU5.3 MR16, symmetry-wide beam
911401509742	BCP500 G4 LED180/CW GU5.3 S-MB	Surface	122W, 18000lm, 6500K, fixed + GU5.3 MR16, symmetry-middle beam
911401509842	BCP500 G4 LED180/CW GU5.3 A-WB	Surface	122W, 18000lm, 6500K, fixed + GU5.3 MR16, asymmetry-wide beam

© 2018 Signify Holding. All rights reserved. The information provided herein is subject to change, without notice. Signify does not give any representation or warranty as to the accuracy or completeness of the information included herein and shall not be liable for any action in reliance thereon. The information presented in this document is not intended as any commercial offer and does not form part of any quotation or contract, unless otherwise agreed by Signify

Philips and the Philips Shield Emblem are registered trademarks of Koninklijke Philips N.V. All other trademarks are owned by Signify Holding or their respective owners.

<http://www.signify.com>



Order Information – PSU PC

12NC	Description	Installation	Specification
911401500342	BBP500 G4 LED85/NW PSU S-WB PC	Recessed	53W, 8326lm, 4000K, fixed, symmetry-wide beam, PC cover
911401500442	BBP500 G4 LED85/NW PSU S-MB PC	Recessed	53W, 8326lm, 4000K, fixed, symmetry-middle beam, PC cover
911401500542	BBP500 G4 LED85/NW PSU A-WB PC	Recessed	53W, 8326lm, 4000K, fixed, asymmetry-wide beam, PC cover
911401500642	BBP500 G4 LED85/CW PSU S-WB PC	Recessed	53W, 8326lm, 6500K, fixed, symmetry-wide beam, PC cover
911401500742	BBP500 G4 LED85/CW PSU S-MB PC	Recessed	53W, 8326lm, 6500K, fixed, symmetry-middle beam, PC cover
911401500842	BBP500 G4 LED85/CW PSU A-WB PC	Recessed	53W, 8326lm, 6500K, fixed, asymmetry-wide beam, PC cover
911401500942	BBP500 G4 LED125/NW PSU S-WB PC	Recessed	79W, 12385lm, 4000K, fixed, symmetry-wide beam, PC cover
911401501042	BBP500 G4 LED125/NW PSU S-MB PC	Recessed	79W, 12385lm, 4000K, fixed, symmetry-middle beam, PC cover
911401501142	BBP500 G4 LED125/NW PSU A-WB PC	Recessed	79W, 12385lm, 4000K, fixed, asymmetry-wide beam, PC cover
911401501242	BBP500 G4 LED125/CW PSU S-WB PC	Recessed	79W, 12385lm, 6500K, fixed, symmetry-wide beam, PC cover
911401501342	BBP500 G4 LED125/CW PSU S-MB PC	Recessed	79W, 12385lm, 6500K, fixed, symmetry-middle beam, PC cover
911401501442	BBP500 G4 LED125/CW PSU A-WB PC	Recessed	79W, 12385lm, 6500K, fixed, asymmetry-wide beam, PC cover
911401501542	BBP500 G4 LED140/NW PSU S-WB PC	Recessed	91W, 13797lm, 4000K, fixed, symmetry-wide beam, PC cover
911401501642	BBP500 G4 LED140/NW PSU S-MB PC	Recessed	91W, 13797lm, 4000K, fixed, symmetry-middle beam, PC cover
911401501742	BBP500 G4 LED140/NW PSU A-WB PC	Recessed	91W, 13797lm, 4000K, fixed, asymmetry-wide beam, PC cover
911401501842	BBP500 G4 LED140/CW PSU S-WB PC	Recessed	91W, 13797lm, 6500K, fixed, symmetry-wide beam, PC cover
911401501942	BBP500 G4 LED140/CW PSU S-MB PC	Recessed	91W, 13797lm, 6500K, fixed, symmetry-middle beam, PC cover
911401502042	BBP500 G4 LED140/CW PSU A-WB PC	Recessed	91W, 13797lm, 6500K, fixed, asymmetry-wide beam, PC cover
911401502142	BBP500 G4 LED180/NW PSU S-WB PC	Recessed	122W, 17704lm, 4000K, fixed, symmetry-wide beam, PC cover
911401502242	BBP500 G4 LED180/NW PSU S-MB PC	Recessed	122W, 17704lm, 4000K, fixed, symmetry-middle beam, PC cover
911401502342	BBP500 G4 LED180/NW PSU A-WB PC	Recessed	122W, 17704lm, 4000K, fixed, asymmetry-wide beam, PC cover
911401502442	BBP500 G4 LED180/CW PSU S-WB PC	Recessed	122W, 17704lm, 6500K, fixed, symmetry-wide beam, PC cover
911401502542	BBP500 G4 LED180/CW PSU S-MB PC	Recessed	122W, 17704lm, 6500K, fixed, symmetry-middle beam, PC cover
911401502642	BBP500 G4 LED180/CW PSU A-WB PC	Recessed	122W, 17704lm, 6500K, fixed, asymmetry-wide beam, PC cover
911401509942	BCP500 G4 LED85/NW PSU S-WB PC	Surface	53W, 8326lm, 4000K, fixed, symmetry-wide beam, PC cover
911401510042	BCP500 G4 LED85/NW PSU S-MB PC	Surface	53W, 8326lm, 4000K, fixed, symmetry-middle beam, PC cover
911401510142	BCP500 G4 LED85/NW PSU A-WB PC	Surface	53W, 8326lm, 4000K, fixed, asymmetry-wide beam, PC cover
911401510242	BCP500 G4 LED85/CW PSU S-WB PC	Surface	53W, 8326lm, 6500K, fixed, symmetry-wide beam, PC cover
911401510342	BCP500 G4 LED85/CW PSU S-MB PC	Surface	53W, 8326lm, 6500K, fixed, symmetry-middle beam, PC cover
911401510442	BCP500 G4 LED85/CW PSU A-WB PC	Surface	53W, 8326lm, 6500K, fixed, asymmetry-wide beam, PC cover
911401510542	BCP500 G4 LED125/NW PSU S-WB PC	Surface	79W, 12385lm, 4000K, fixed, symmetry-wide beam, PC cover
911401510642	BCP500 G4 LED125/NW PSU S-MB PC	Surface	79W, 12385lm, 4000K, fixed, symmetry-middle beam, PC cover
911401510742	BCP500 G4 LED125/NW PSU A-WB PC	Surface	79W, 12385lm, 4000K, fixed, asymmetry-wide beam, PC cover
911401510842	BCP500 G4 LED125/CW PSU S-WB PC	Surface	79W, 12385lm, 6500K, fixed, symmetry-wide beam, PC cover
911401510942	BCP500 G4 LED125/CW PSU S-MB PC	Surface	79W, 12385lm, 6500K, fixed, symmetry-middle beam, PC cover
911401511042	BCP500 G4 LED125/CW PSU A-WB PC	Surface	79W, 12385lm, 6500K, fixed, asymmetry-wide beam, PC cover
911401511142	BCP500 G4 LED140/NW PSU S-WB PC	Surface	91W, 13797lm, 4000K, fixed, symmetry-wide beam, PC cover
911401511242	BCP500 G4 LED140/NW PSU S-MB PC	Surface	91W, 13797lm, 4000K, fixed, symmetry-middle beam, PC cover
911401511342	BCP500 G4 LED140/NW PSU A-WB PC	Surface	91W, 13797lm, 4000K, fixed, asymmetry-wide beam, PC cover
911401511442	BCP500 G4 LED140/CW PSU S-WB PC	Surface	91W, 13797lm, 6500K, fixed, symmetry-wide beam, PC cover
911401511542	BCP500 G4 LED140/CW PSU S-MB PC	Surface	91W, 13797lm, 6500K, fixed, symmetry-middle beam, PC cover
911401511642	BCP500 G4 LED140/CW PSU A-WB PC	Surface	91W, 13797lm, 6500K, fixed, asymmetry-wide beam, PC cover
911401511742	BCP500 G4 LED180/NW PSU S-WB PC	Surface	122W, 17704lm, 4000K, fixed, symmetry-wide beam, PC cover
911401511842	BCP500 G4 LED180/NW PSU S-MB PC	Surface	122W, 17704lm, 4000K, fixed, symmetry-middle beam, PC cover
911401511942	BCP500 G4 LED180/NW PSU A-WB PC	Surface	122W, 17704lm, 4000K, fixed, asymmetry-wide beam, PC cover
911401512042	BCP500 G4 LED180/CW PSU S-WB PC	Surface	122W, 17704lm, 6500K, fixed, symmetry-wide beam, PC cover
911401512142	BCP500 G4 LED180/CW PSU S-MB PC	Surface	122W, 17704lm, 6500K, fixed, symmetry-middle beam, PC cover
911401512242	BCP500 G4 LED180/CW PSU A-WB PC	Surface	122W, 17704lm, 6500K, fixed, asymmetry-wide beam, PC cover

© 2018 Signify Holding. All rights reserved. The information provided herein is subject to change, without notice. Signify does not give any representation or warranty as to the accuracy or completeness of the information included herein and shall not be liable for any action in reliance thereon. The information presented in this document is not intended as any commercial offer and does not form part of any quotation or contract, unless otherwise agreed by Signify

Philips and the Philips Shield Emblem are registered trademarks of Koninklijke Philips N.V. All other trademarks are owned by Signify Holding or their respective owners.

<http://www.signify.com>



Order Information – Accessory & Spare part

12NC	Description	Remarks	MPQ	MoQ
911401591832	ZCB504 frame clamp	Optional accessory for steel-frame installation	20	40

© 2018 Signify Holding. All rights reserved. The information provided herein is subject to change, without notice. Signify does not give any representation or warranty as to the accuracy or completeness of the information included herein and shall not be liable for any action in reliance thereon. The information presented in this document is not intended as any commercial offer and does not form part of any quotation or contract, unless otherwise agreed by Signify

Philips and the Philips Shield Emblem are registered trademarks of Koninklijke Philips N.V. All other trademarks are owned by Signify Holding or their respective owners.

<http://www.signify.com>

