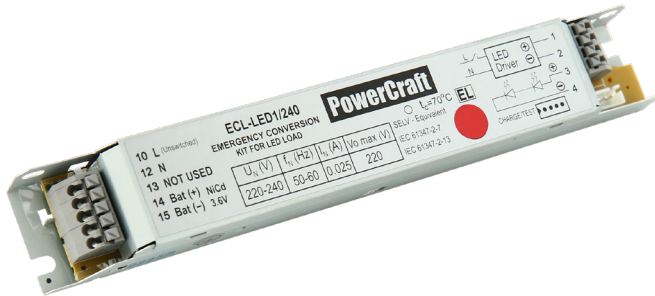


ECL-LED1 / ECL-LED3 LED RANGE

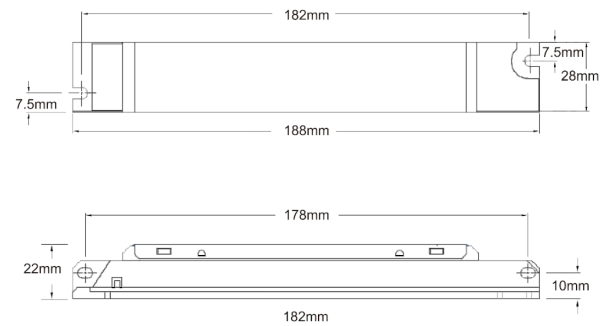
OUR SLIMMEST LED CONVERSION KIT THAT IS COMPACT AND EFFICIENT.



- LED Load.
- Extra low standby power consumption.
- Low-profile casing (22mm x 28mm cross-section)
- Suitable for a wide range LED load voltage range
- Regulated charger output
- Able to power a LED light fitting at a reduce luminous flux for one, two and three hours
- Automatically activated in the event of power cuts
- Offer a good luminous flux to facilitate the evacuation.

TECHNICAL SPECIFICATIONS

MODEL NO:	ECL-LED1 / ECL-LED3
Mode of Operation:	Maintained / Non-Maintained
Lamp Type:	3 - 70V LED Load
Rated Duration:	2 Hours / 3 Hours
Mains Supply:	220-240 Volts, 50-60Hz
Supply Current:	20mA
Power Consumption:	< 2.0W
Trickle Charge:	80mA / 125mA
Battery Charger:	Regulated variable rate
Battery Protection:	Low battery voltage cut off to prevent over discharge
Battery Type:	High Temperature Nickel Cadmium
Charge Monitor:	LED
Test Facility:	Momentary test switch
Casing Construction:	Electro-galvanised steel
Max. Casing Temp, Tc:	70°C
Max. Ambient Temp, Ta:	50°C
Standards / Compliance:	IEC 61347-2-7 (SS 490-2-7), SS 563, IEC 61347-2-13, IEC 62384



Ordering Guide:

Ordering Code	Battery Type	Battery Configuration
ECL-LED1/240/3.6/1.6-A	NiCd 3.6V 1.6AH	Cane
ECL-LED1/240/3.6/1.6-S	NiCd 3.6V 1.6AH	Side by side
ECL-LED1/240/3.6/2.5-A	NiCd 3.6V 2.5AH	Cane
ECL-LED1/240/3.6/2.5-S	NiCd 3.6V 2.5AH	Side by side
ECL-LED3/240/2.4/1.6-A	NiCd 2.4V 1.6AH	Cane



***Note: Technical Specification subject to change without prior notice