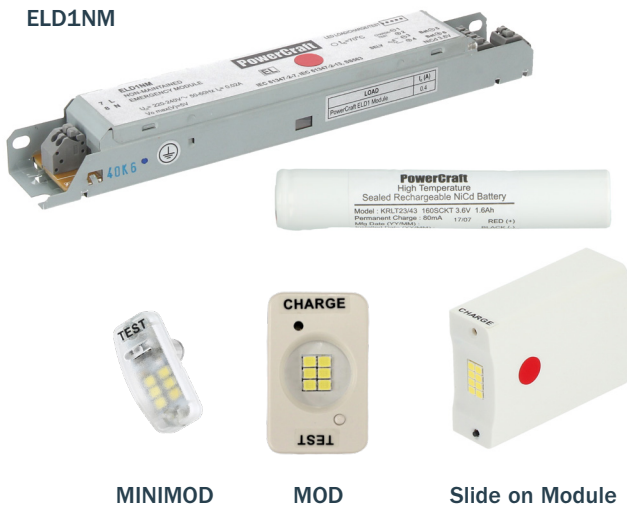


# ELD1NM

## SELF-CONTAINED / SUSTAINED LED

(with MINIMOD, MOD, SLIDE ON MODULE)

DESIGNED TO DISCREETLY INCREASE RELIABILITY AND AVOID AGEING EFFECTS



- Prevents damage to fluorescent or LED lamps as it is independent from voltage and output from the general lighting
- Optimal and uniform light point spacing for anti-panic luminaires and escape route luminaires can be achieved.
- Reliability of the emergency modules is increased as the LED modules are addressed separately from the general lighting therefore aging effects are avoided.
- Easy wiring and full compatibility.

### TECHNICAL SPECIFICATIONS

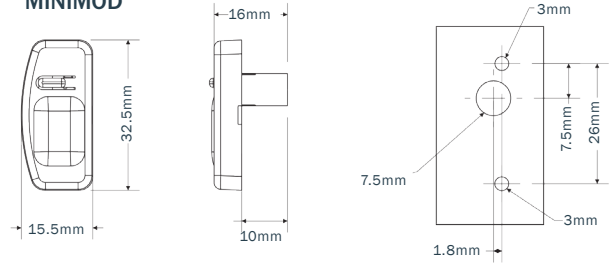
<b>MODEL NO:</b>	<b>ELD1NM</b>
<b>Mode of Operation:</b>	Non-Maintained
<b>Lamp Module:</b>	MINIMOD: 3W, MOD: 3W, Slide on Module: 4W
<b>Rated Duration:</b>	3 Hours
<b>Mains Supply:</b>	220-240 Volts, 50-60Hz
<b>Power Consumption:</b>	< 1.5W
<b>Battery:</b>	High Temperature Nickel Cadmium
<b>Charge Monitor:</b>	LED
<b>Test Facility:</b>	Micro switch
<b>Safety Features:</b>	Low battery voltage cut off to prevent over discharge
<b>Fitting Construction:</b>	Injection moulded with fire retardant, high impact material
<b>Weight:</b>	Approx. 0.3 Kg
<b>Standards / Compliance:</b>	SS IEC 60598-2-22 SS 563

### Ordering Guide:

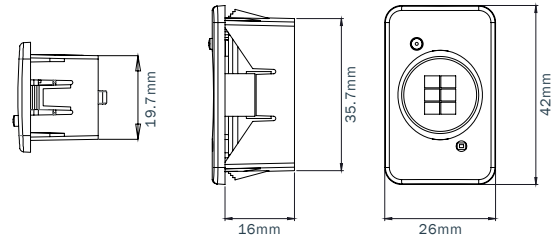
#### Ordering Code

- ELD1NM-S
- ELD1NM-MINIMOD
- ELD1NM-MOD

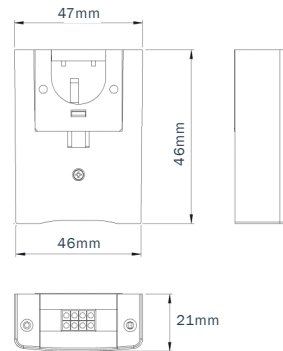
#### MINIMOD



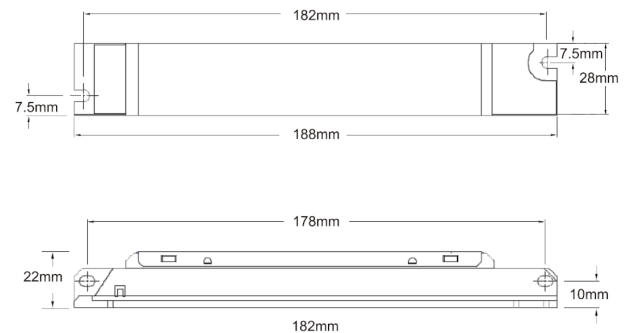
#### MOD



#### Slide on Module



#### ELD1NM



\*\*\*Note: Technical Specification subject to change without prior notice